



UNIVERSITY OF MINES AND TECHNOLOGY, TARKWA

FIRST SEMESTER EXAMINATIONS, NOV/DEC 2018

COURSE NO: GL 127
COURSE NAME: TECHNICAL DRAWING
CLASS: GD I

Unihubgh.com

TIME: 3 HOURS

Name: \_\_\_\_\_ Index Number: \_\_\_\_\_

ANSWER ALL

Question 1

Fig. 1 shows an isometric drawing of a casting symmetrical about the vertical plane. With full scale and using First Angle Projection, draw the following views:

- I. The Front Elevation in the direction of the arrow F
II. The Plan (Top Elevation)
III. The End (Side) Elevation

Show all hidden details

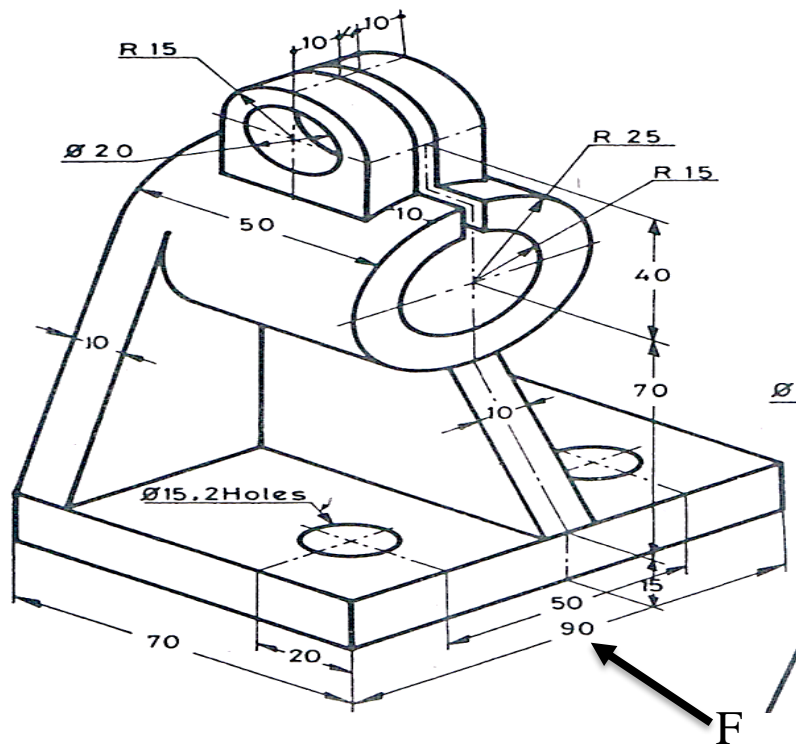


Fig 1: Isometric drawing of a casting

EXAMINER: E. Yin